

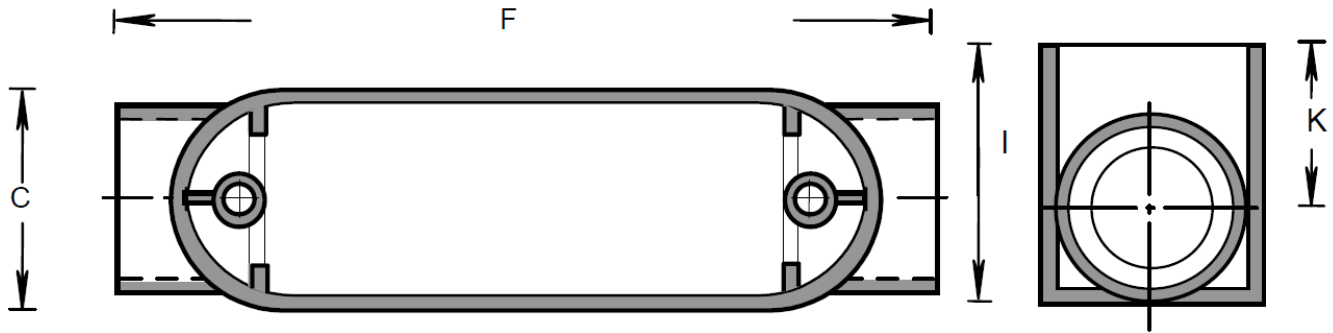


PVC Fittings and Elbows

C Conduit Body



1/2", 3/4", 1", 1-1/4", 1 1-2", 2", 2-1/2", 3", 4"



<u>Size</u>	<u>Cat No</u>	<u>C</u>	<u>F</u>	<u>I</u>	<u>K</u>	<u>Box Quantity</u>
1/2"	C050CBPK	1.312"	4.843"	1.500"	0.833"	25
3/4"	C075CBPK	1.500"	5.640"	1.625"	0.920"	15
1"	C100CBPK	1.750"	6.743"	2.010"	1.188"	10
1-1/4"	C125CBPK	2.450"	8.409"	2.510"	1.359"	10
1-1/2"	C150CBPK	2.468"	8.839"	2.520"	1.360"	10
2"	C200CBPK	3.190"	10.880"	4.535"	1.970"	10
2-1/2"	C250CBPK	4.500"	14.600"	6.240"	2.610"	4
3"	C300CBPK	4.500"	14.600"	6.240"	2.610"	4
4"	C400CBPK	5.540"	17.070"	7.500"	2.975"	5

Technical Data:

- Includes Cover
- Includes Weatherproof Gasket
- Suitable for Indoor, Outdoor, and Burial Use
- UL and CSA Listed
- Constructed of High Impact PVC
- Conforms to UL 651

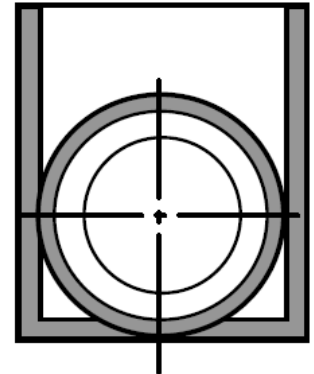


PVC Fittings and Elbows

C Conduit Body



1/2", 3/4", 1", 1-1/4", 1 1-2", 2", 2-1/2", 3", 4"



<u>Size</u>	<u>Cat No</u>	<u>Fill Volume</u>	<u>Max Wire Size</u>	<u>Max Number of Wires</u>
1/2"	C050CBPK	4.1"	#6 AWG	2
3/4"	C075CBPK	7.5"	#6 AWG	3
1"	C100CBPK	13.0"	#6 AWG	3
1-1/4"	C125CBPK	26.5"	#2	3
1-1/2"	C150CBPK	38.9"	1/0	2
2"	C200CBPK	70.8"	4/0	2
2-1/2"	C250CBPK	178.0"	4/0	2
3"	C300CBPK	178.0"	350	2
4"	C400CBPK	338.4"	350	3

Technical Data:

- Please Consult NEC 314.16 for Additional Wiring Information